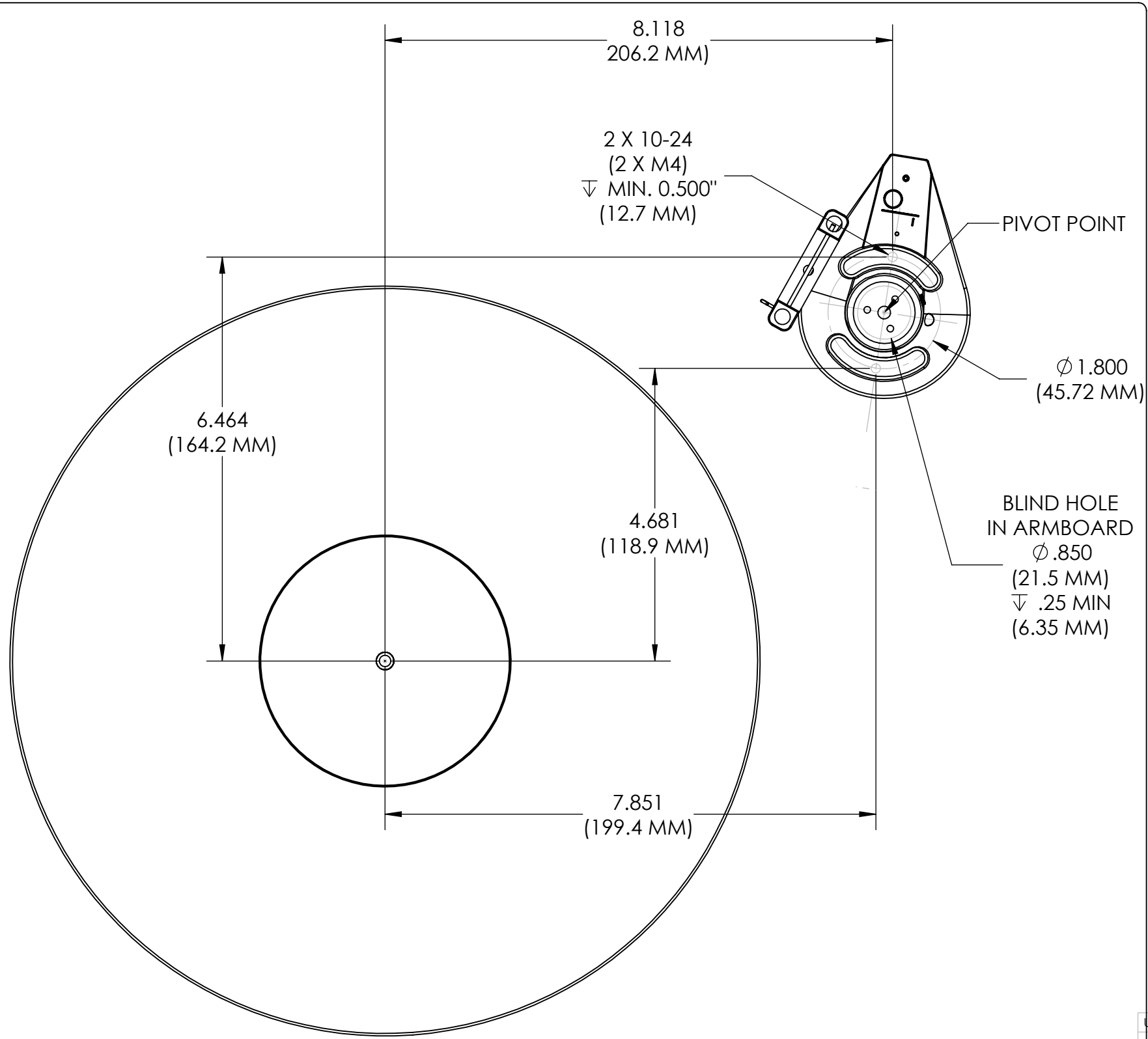


8 7 6 5 4 3 2 1

D
C
B
A



2 X 10-24
(2 X M4)
▽ MIN. 0.500"
(12.7 MM)

PIVOT POINT

Ø 1.800
(45.72 MM)

BLIND HOLE
IN ARMBORD
Ø .850
(21.5 MM)
▽ .25 MIN
(6.35 MM)

UNLESS OTHERWISE SPECIFIED:

DIMENSIONS ARE IN INCHES
TOLERANCES:
FRACTIONAL ±
ANGULAR: MACH ± BEND ±
TWO PLACE DECIMAL ±
THREE PLACE DECIMAL ± .005

INTERPRET GEOMETRIC
TOLERANCING PER:
MATERIAL
FINISH
DO NOT SCALE DRAWING

DRAWN	DATE
CHECKED	28 APRIL 2014
ENG APPR.	
MFG APPR.	
Q.A.	
COMMENTS:	

PROPRIETARY AND CONFIDENTIAL
THE INFORMATION CONTAINED IN THIS
DRAWING IS THE SOLE PROPERTY OF
DURAND TONEARMS LLC. ANY
REPRODUCTION IN PART OR AS A WHOLE
WITHOUT THE WRITTEN PERMISSION OF
DURAND TONEARMS LLC IS
PROHIBITED.

DURAND TONEARMS LLC		
TITLE: KAIROS MOUNTING HOLES POSITIONS		
SIZE	DWG. NO.	REV
B		
SCALE: 1:2	WEIGHT:	SHEET 1 OF 1

8 7 6 5 4 3 2 1